

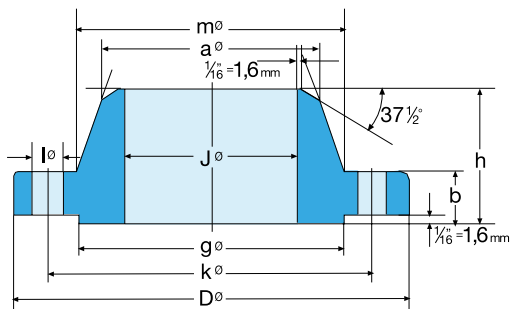
BRIDAS ASME B16.47B

ASME B16.47 B

BRIDAS ASME B16.47 B 150LBS WN ACERO CARBONO



BRIDA ASME B16.47 B WN		Rating: 150LBS
Especificaciones		
Material	Acero carbono ASTM A105	
Normativa	NACE MR 0175	



BRIDA ASME B16.47 B WN 150LBS

DN	Diám. exterior	Brida				Cuello		RF	Taladros			Peso (kg.)
		D	J	b	h	a	m	g	n	l	k	
26"	660.4	785.8	A especificar por el cliente	41.3	88.9	662.0	684.2	711.2	36	22.2	744.5	63
28"	711.2	836.6		44.4	95.2	712.8	735.0	762.0	40		795.3	74
30"	762.0	887.4		44.4	100.0	763.6	787.4	812.8	44		846.1	80
32"	812.8	941.4		46.0	107.9	814.4	839.8	863.6	48		900.1	92
34"	863.6	1004.9		49.2	110.3	865.2	892.2	920.7	40	25.4	957.3	113
36"	914.4	1057.3		52.4	117.5	916.0	944.6	971.5	44		1.009.6	129
42"	1066.8	1225.5		58.7	133.3	1.070.0	1.101.7	1.130.3	48	28.6	1.171.6	184
48"	1219.2	1392.2		65.1	149.2	1.222.4	1.257.3	1.289.0	44	31.7	1.335.1	231
54"	1371.6	1549.4		71.4	161.9	1.374.8	1.412.9	1.441.4	56		1.492.2	287
60"	1524.0	1725.6		76.2	179.4	1.527.2	1.570.0	1.600.2	52		34.9	1.662.1

BRIDA ASME B16.47 B WN 300LBS

DN	Diám. exterior	Brida				Cuello		RF	Taladros			Peso (kg.)
		D	J	b	h	a	m	g	n	l	k	
26"	660.4	866.8	A especificar por el cliente	88.9	144.5	665.2	701.7	736.6	32	34.9	803.3	181
28"	711.2	920.7		88.9	149.2	716.0	755.6	787.4	36	34.9	857.2	203
30"	762.0	990.6		93.7	158.0	768.4	812.8	844.5	36	38.1	920.7	268
32"	812.8	1.054.1		103.2	168.3	819.2	863.6	901.7	32	41.3	977.9	330
34"	863.6	1.108.1		103.2	173.0	869.9	917.6	952.5	36	41.3	1.031.9	357
36"	914.4	1.171.6		103.2	181.0	920.7	965.2	1.009.6	32	44.4	1.089.0	405
42"	1.066.8	1.333.5		119.1	204.8	1.074.7	1.117.6	1.168.4	36	47.6	1.244.6	502
48"	1.219.2	1.511.3		128.6	223.8	1.227.1	1.277.9	1.327.1	40	50.8	1.416.0	731
54"	1.371.6	1.673.2		136.5	239.7	1.379.5	1.435.1	1.479.5	48	50.8	1.578.0	898
60"	1.524.0	1.878.0		150.8	271.5	1.531.9	1.598.6	1.651.0	40	60.3	1.763.7	1.311